

**LAVASTOVIGLIE SOTTOTAVOLO
UNDERCOUNTER DISHWASHER**

EUCI / EUCAI / NUCAI / VUCAI

PRESSIONE

Code	Type	Ref.	Pagina/Page
502043	EUCI	a	2 3 5 6
502044	EUCIM	t	2 3 5 6
502045	EUCIM60	s	2 3 5 6
502123	EUCIDDC	a2	2 3 5 6

ATMOSFERICA

Code	Type	Ref.	Pagina/Page	Code	Type	Ref.	Pagina/Page
502010	NUCAIG	a3	2 3 4 6	502046	EUCAIDPNW	a1	2 3 4 6
502021	VUCAIG	a4	2 3 4 6	502056	EUCAIUSPH6	k	2 3 4 6
502025	EUCAI	d	2 3 4 6	502058	EUCAIDD	f	2 3 4 6
502026	EUCAIDP	e	2 3 4 6	502059	EUCAIDPJ	b	2 3 4 6
502027	EUCAI60	h	2 3 4 6	502060	EUCAIDPJ60	c	2 3 4 6
502033	EUCAIG	g	2 3 4 6	502064	EUCAIGM	a5	2 3 4 6
502035	EUCAIML	m	2 3 4 6	502065	EUCAIDPJM	a6	2 3 4 6
502037	EUCAIMLG	p	2 3 4 6	502066	EUCAIDPJ6M	a7	2 3 4 6
502038	EUCAICL	v	2 3 4 6	502071	NUCAIDD	a8	2 3 4 6
502039	EUCAICLG	y	2 3 4 6	502072	EUCA060	a9	2 3 4 6
502040	EUCAIWL	z	2 3 4 6	502073	ZUCA060	b1	2 3 4 6
502042	EUCAICLW	u	2 3 4 6	502074	VUCA060	b2	2 3 4 6

Pag./Page

2
3
4
5
6
7-15

Indice

Vista generale
Componenti idraulici
Circuito idraulico atmosferico
Circuito idraulico a pressione
Componenti elettrici
Lista ricambi

Index

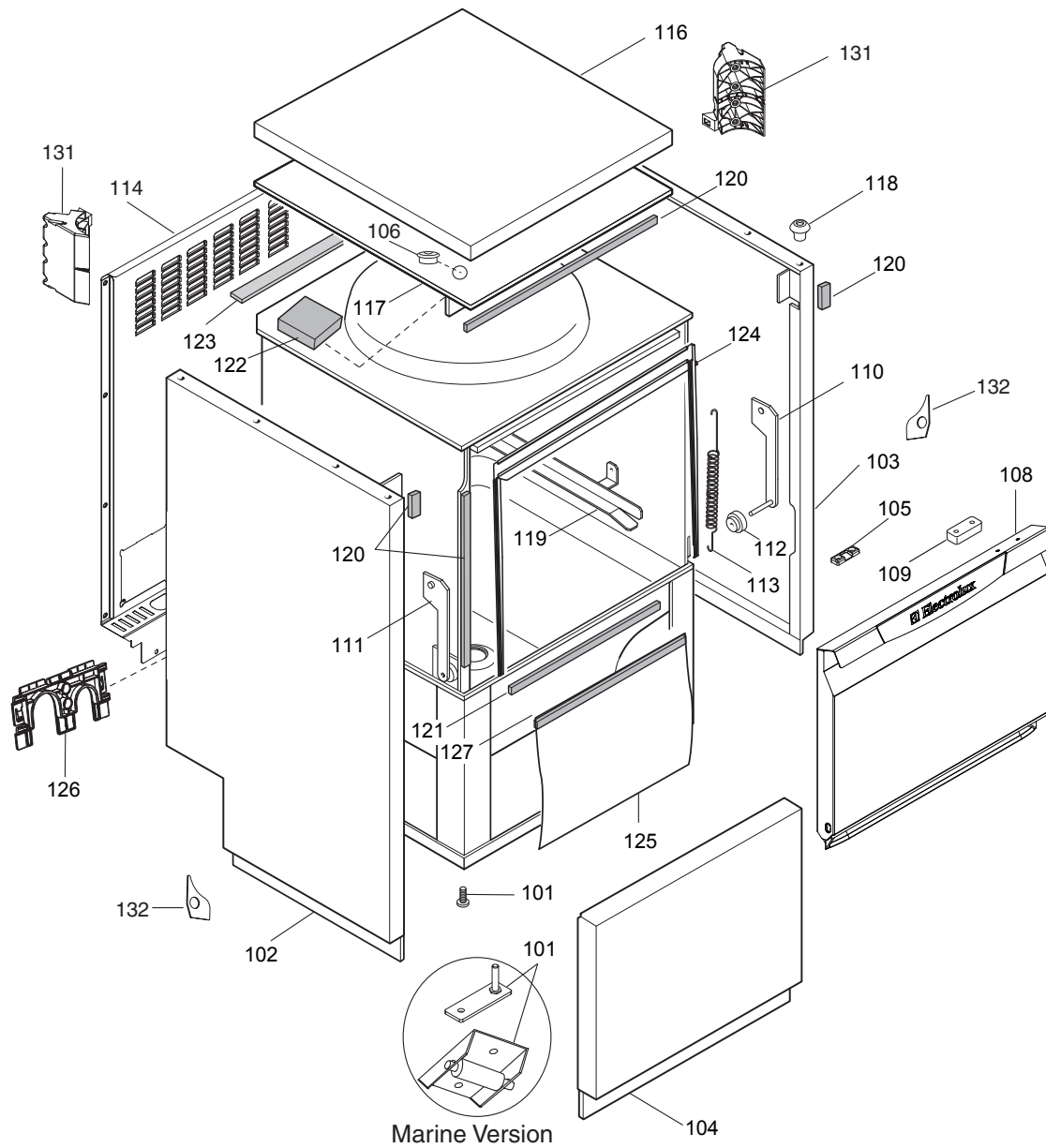
Main view
Hydraulic components
Atmospheric plumbing circuit
Pressurized plumbing circuit
Electrical components
Spare parts list

Paese/Country: Tutti/All

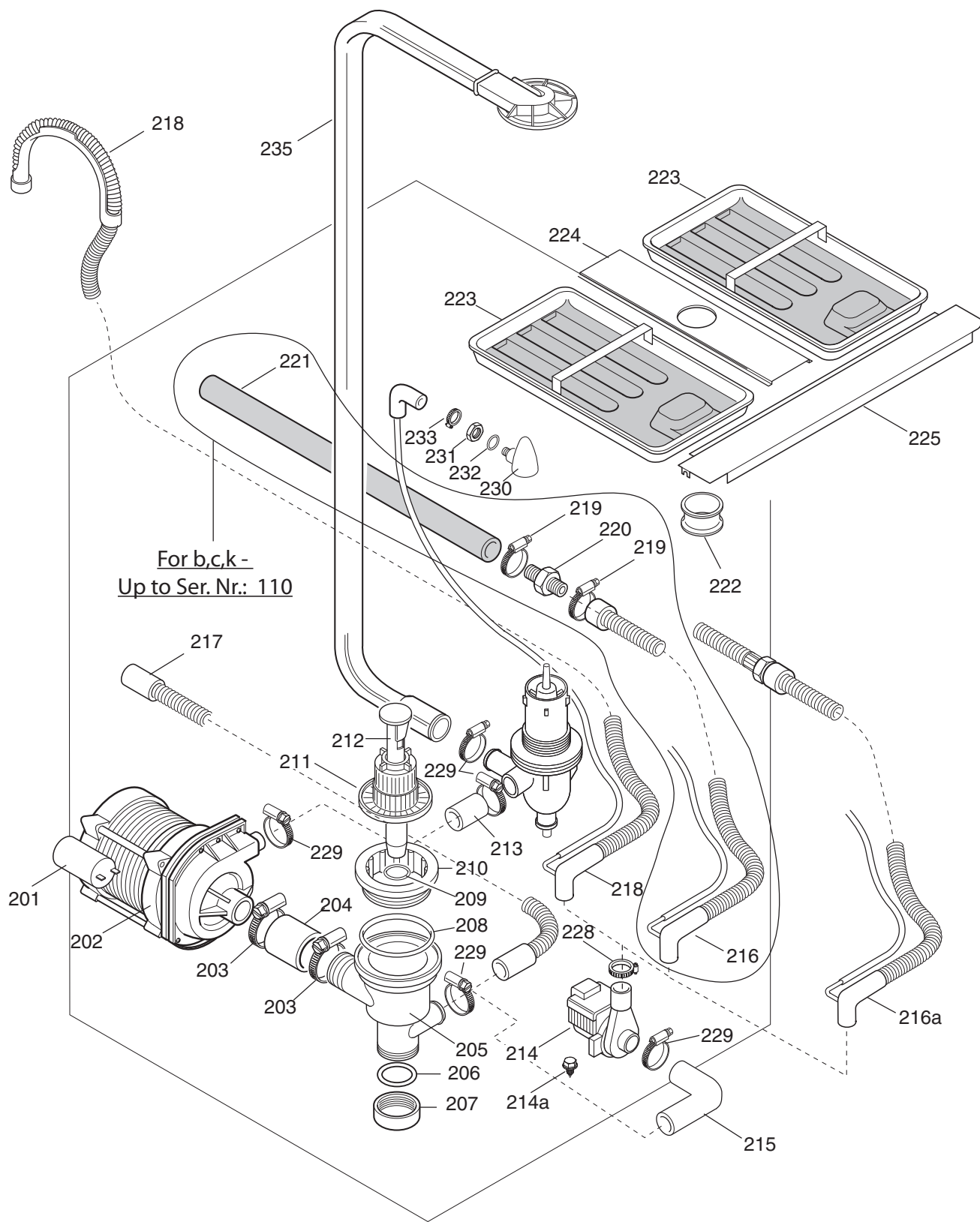
Da Ser. Nr./ From Ser.nr.:

Ed. 2019 - 09
Updated 2020 - 06

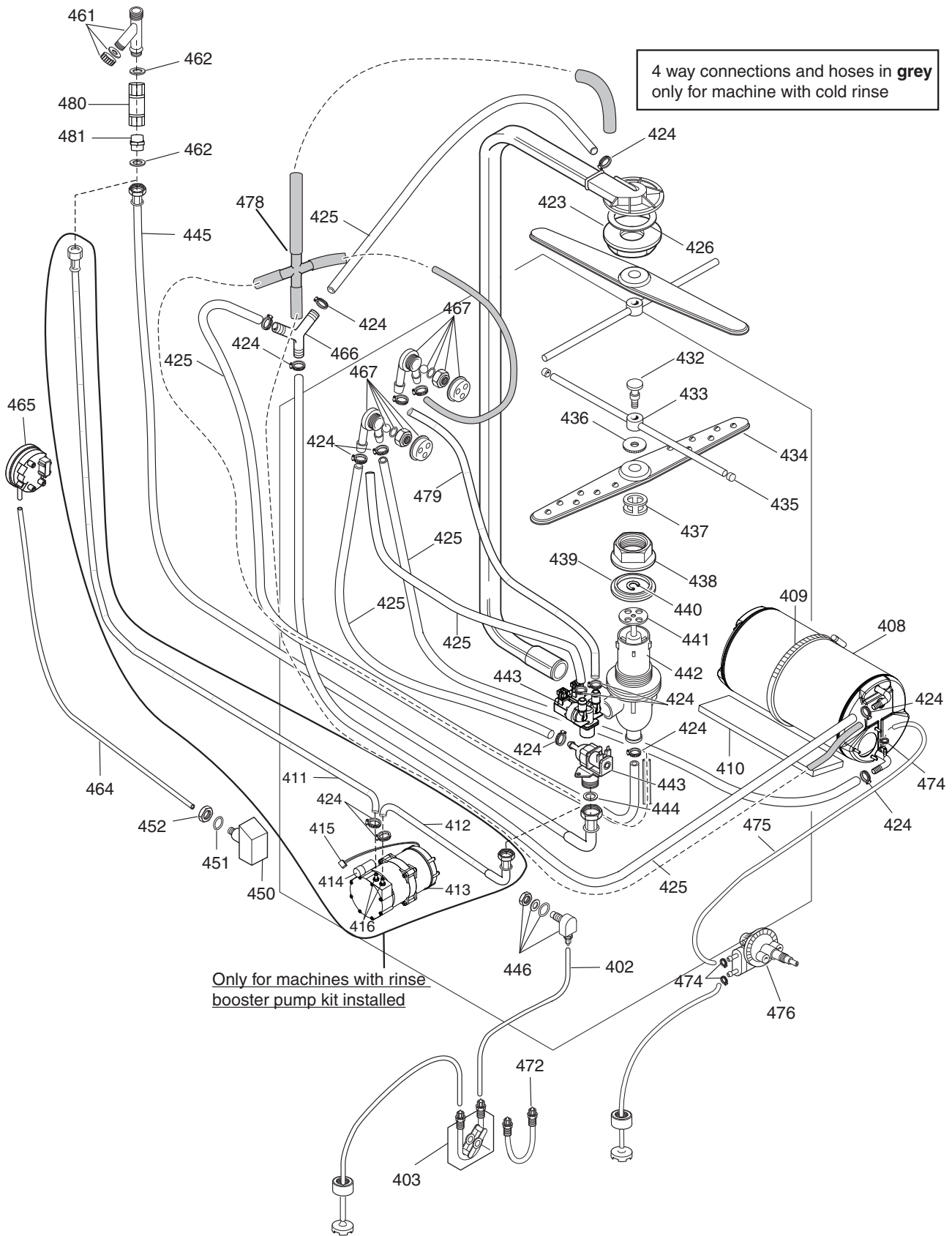
Doc. Nr.: **595665M00**



Vista generale / Main View

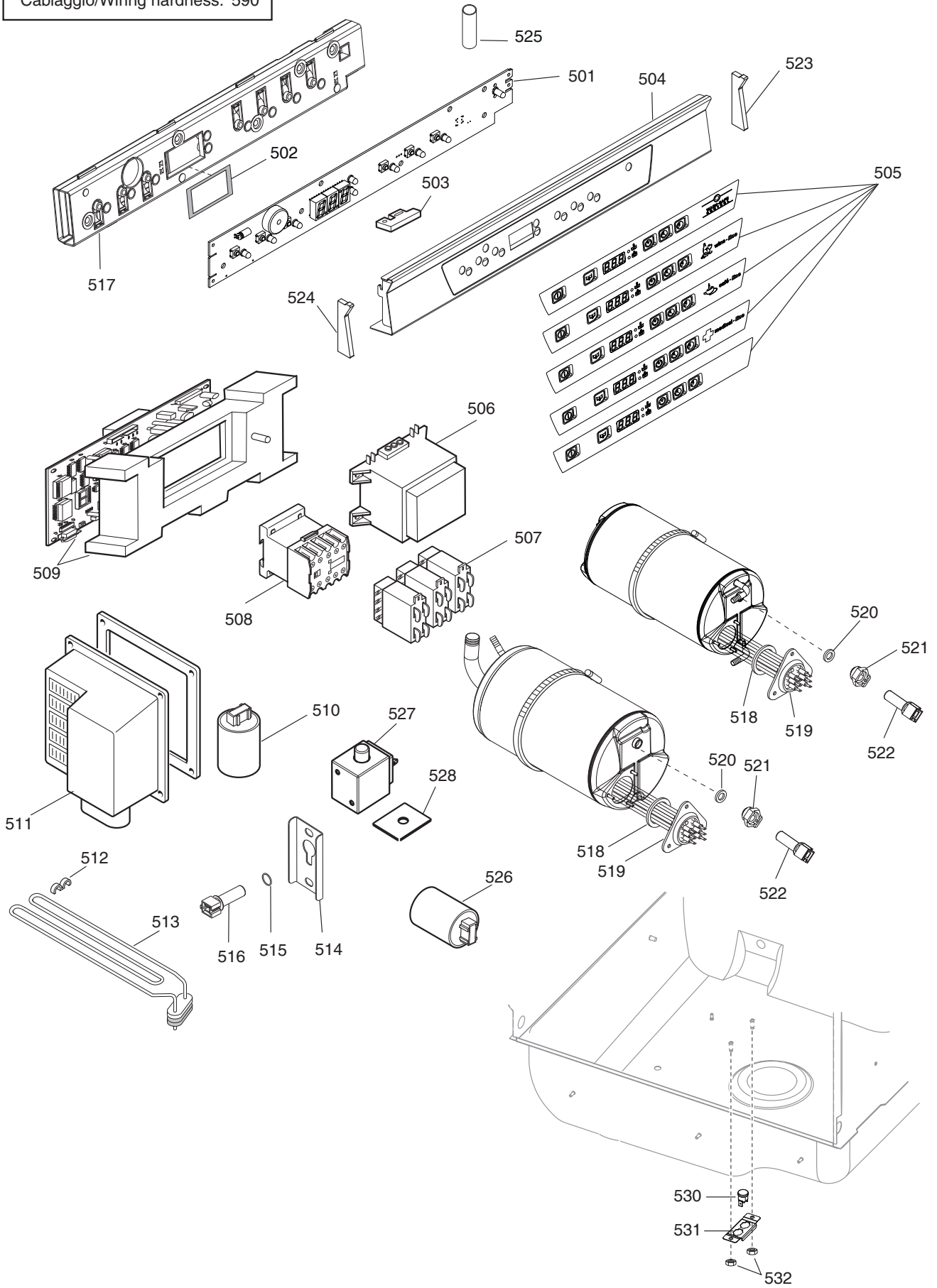


Componenti idraulici / Hydraulic components



Circuito idraulico a pressione / Pressurized plumbing circuit

* Cablaggio/Wiring harness: 590



Componenti elettrici / Electrical components

**LAVASTOVIGLIE SOTTOTAVOLO EUCI / EUCAI
UNDERCOUNTER DISHWASHER EUCI / EUCAI**

**Grassetto = variazioni
Bold Print = changes**

Pos.	Cod. Ric. Part No.	Descrizione	Description	Note / Notes
		Pagina 2: Vista generale	Page 2: Main view	
101	049393	Piedino regolabile	Adjustable foot	a,b,c,d,e,f,g,h,m,p,u,a1,z,a2, a3,a4,a5,a6,a7,a8,a9,b1,b2
101	0L0118	Piede a rullo	Roller	k,p,v,y,a9,b1,b2
101	048994	Piede a rullo	Roller	s,t
102	0L1385	Pannello laterale; sx	Side panel; left	
103	0L1386	Pannello laterale; dx	Side panel; right	
104	0L1313	Pannello frontale	Front panel	
105	0L0532	Fermo porta	Door catch	p - Up to Ser. Nr.: 937
105	0L2094	Fermo porta	Door catch	p,a9,b1,b2 - From Ser. Nr.: 938
106	0L0533	Tappo	Plug	p,a9,b1,b2
108	0L1900	Porta	Door	not for "p,a3,a4" up to 6131
108	0L3710	Porta	Door	not for "p,a3,a4,a8,a9,b1,b2" from 6141
108	0L1901	Porta	Door	p up to 6131
108	0L3711	Porta	Door	p,a9 from 6141
108	0L0783	Porta	Door	a3, a8
108	0L4310	Porta	Door	a4
108	855651104	Porta Zanussi	Zanussi Door	b1
108	855653N00	Porta Veetsan*	Veetsan* Door	b2
109	049627	Magnete grigio	Magnet	
110	0L0717	Ass. Leva DX	Assembly Lever right	
111	0L0718	Ass. Leva SX	Assembly Lever left	
112	048812	Bronzina	Bushing	
113	048815	Molla Porta	Door spring	
114	0L1893	Schienale	Rear panel	a,b,c,d,e,f,v,a1,h,m,u,z,a2,a4, a6,a7,a8
114	0L1648	Schienale	Rear panel	s,t,q
114	0L1966	Schienale	Rear panel	k
114	0L1894	Schienale	Rear panel	p,y,g,a3,a5,a9,b1,b2
116	0L0745	Coperchio	Top panel	
117	0L1422	Protezione superiore	Upper protection	
117	0L1423	Protezione superiore	Upper protection	p,a9,b1,b2
118	047511	Piolino	Pin	
119	0L0516	Ass. supporto Cesto	Support; for basket	
119	0L3366	Ass. supporto Cesto dx	Right support; for basket	a2
119	0L3365	Ass. supporto Cesto sx	Left support; for basket	a2
120	0L0113	Profilo adesivo	Gasket	
121	049931	Velcro Autoadesivo	Stik	k,p,s,t,a9,b1,b2
122	0L0114	Pannello di rinforzo	Insulation	
123	0E5559	Guarnizione	Gasket	
124	0L2561	Guarnizione; cornice vasca	Gasket door	Not for "p,a9,b1,b2"
124	0L2562	Guarnizione; cornice vasca	Gasket door	p,a9,b1,b2
125	0L0531	Prot.Poliest.Trasp. 520X320	Gasket	k,p,s,t,a9,b1,b2

Da Ser. Nr./ From Ser.nr.:

Ed. 2019 - 09
Updated 2020 - 06

Doc. Nr.: **595665M00**

**LAVASTOVIGLIE SOTTOTAVOLO EUCI / EUCAI
UNDERCOUNTER DISHWASHER EUCI / EUCAI**

**Grassetto = variazioni
Bold Print = changes**

Pos.	Cod. Ric. Part No.	Descrizione	Description	Note / Notes
126	0L0112	Copertura passatubi	Hoses protection	
127	049931	Velcro Autoad. Femmina PVC	Stik	k,p,s,t,a9,b1,b2
131	0L0762	Supporto angolare	Angular support	
132	049362	Raccogliocce	Drip guard	
		Pagina 3: Componenti idraulici	Page 3: Hydraulic components	
201	0A2914	Condensatore	Capacitor	
202	049885	Pompa Lavaggio	Wash pump	Up to Ser. Nr: 4281 60Hz - h
202	0L3396	Pompa Lavaggio	Wash pump	From Ser. Nr: 4291 60Hz - h
202	049916	Pompa Lavaggio	Wash pump	Up to Ser. Nr: 4281 60Hz - k,s
202	0L3398	Pompa Lavaggio	Wash pump	From Ser. Nr: 4291 60Hz - k,s
202	049876	Pompa Lavaggio	Wash pump	Up to Ser. Nr: 4281 50Hz a,d,e,f,g,m,p,u,v,y,a1,z,a2,a3
202	0L3395	Pompa Lavaggio	Wash pump	From Ser. Nr: 4291 50Hz a,d,e,f,g,m,p,u,v,y,a1,z,a2,a3, a4,a8,a9,b1,b2
202	0L0345	Pompa Lavaggio	Wash pump	Up to Ser. Nr: 4281 b - 50Hz (200V)
202	0L3399	Pompa Lavaggio	Wash pump	From Ser. Nr: 4291 b,a6 - 50Hz (200V)
202	0L0342	Pompa Lavaggio	Wash pump	Up to Ser. Nr: 4281 c - 60Hz (200V)
202	0L3400	Pompa Lavaggio	Wash pump	From Ser. Nr: 4291 c,a7 - 60Hz (200V)
202	049896	Pompa Lavaggio	Wash pump	Up to Ser. Nr: 4281 t - 50Hz
202	0L3397	Pompa Lavaggio	Wash pump	From Ser. Nr: 4291 t - 50Hz
203	0L0193	Fascetta 40-60	Hose clamp 40-60	
204	045768	Tubo Gomma 45x55	Hose	
205	048325	Coll. Asp. Scarico	Drain manifold	
206	049828	Guarniz. Tappo Ter. Sc.	Gasket	
207	046596	Tappo Terminale Sc.	Plug; for manifold	
208	049894	OR 4*110 Asp Sc.	O Ring	
209	046799	OR Troppo Pieno	O Ring	
210	048326	collettore Asp. Sc.	Ring nut; for manifold	
211	048324	Filtro Asp. Pompa	Filter; for pump	
212	048323	Troppo pieno	Overflow pipe	a,d,u
212	048842	Troppo pieno	Overflow pipe	b,c,e,f,g,h,k,m,p,s,t,v,y,a1,z,a 2,a3,a4,a5,a6,a7,a8,a9,b1,b2
213	046257	Tubo 37X52 mm	Hose 7X52 mm	
214	0L0994	Pompa scarico	Drain pump	50Hz - e,f,g,m,p,t,v,y,a1,z Up to Ser. Nr.: 144
214	0L2133	Pompa scarico	Drain pump	50Hz - e,f,g,m,p,t,v,y,a1,z,a3, a4,a5,a8,a9,b1,b2 From Ser. Nr.: 145

Doc. Nr.: **595665M00**

Ed. 2019 - 09
Updated **2017 - 10**

Da Ser. Nr./ From Ser.nr.:

**LAVASTOVIGLIE SOTTOTAVOLO EUCI / EUCAI
UNDERCOUNTER DISHWASHER EUCI / EUCAI**

**Grassetto = variazioni
Bold Print = changes**

Pos.	Cod. Ric. Part No.	Descrizione	Description	Note / Notes
214	0L1131	Pompa scarico	Drain pump	60Hz - h,k,s Up to Ser. Nr.: 144
214	0L2133	Pompa scarico	Drain pump	60Hz - h,k,s From Ser. Nr.: 145
214	0L2133	Pompa scarico	Drain pump	b,c,a6,a7
214a	0L2135	Vite per pompa scarico	Drain pump screw	b,c,a6,a7
214	0L2740	Pompa scarico	Drain pump	a2
215	049877	Manicotto asp. scarico	Coupling; drain	b,c,e,f,g,h,k,m,p,s,v,t,y,a1,z,a2, a3,a4,a5,a6,a7,a8,a9,b1,b2
216	049933	Tubo Scarico	Drain pipe	b,c,k - Up to Ser. Nr.: 110
216a	0L2484	Assieme tubo scarico	Drain pipe	b,c,k,a6,a7 From Ser. Nr.: 111
217	0L4552	Tubo Scarico	Drain pipe	a,d,u
218	049878	Tubo Scarico	Drain pipe	e,f,g,h,m,p,s,t,v,y,a1,z,a2,a3, a4,a5,a8,a9,b1,b2
219	049445	Fasc.Torro 16-27/9	Clip	b,c,k - Up to Ser. Nr.: 110
220	0L1379	Raccordo coll. tubo marine	Connection	b,c,k - Up to Ser. Nr.: 110
221	049470	Tubo Pvc	Pipe	b,c,k - Up to Ser. Nr.: 110
222	0L0078	Supporto Filtro	Filter support	
223	049908	Ass.Filtro Vasca	Tank filter	
224	049935	Supporto Centr. Filtri	Support; filters	
225	049936	Supporto Filtri	Support; filters	
228	047578	Fascetta 26-38 9MM	Hose clamp 26-38	
229	046878	Fascetta 28-50	Hose clamp 38-50	Not for "k,s,t"
229	0L2649	Fascetta 28-50 (inox)	Hose clamp 28-50 (stainless steel)	k,s,t
230	048853	Nasello per vasca	Spigot; air relief	b,c,e,f,g,h,m,p,v,y,a1,z,a3,a4, a5,a6,a7,a8,a9,b1,b2
231	049268	Dado ES.M14X1,5	Nut; M14x1,5	b,c,e,f,g,h,m,p,v,y,a1,z,a3,a4, a5,a6,a7,a8,a9,b1,b2
232	068642	OR 3062; 2,62X15,54	O Ring	b,c,e,f,g,h,m,p,v,y,a1,z,a3,a4, a5,a6,a7,a8,a9,b1,b2
233	046946	Fascetta W2 8-12/7,5 IVP	Hose clamp 8-12	b,c,e,f,g,h,m,p,v,y,a1,z,a3,a4, a5,a6,a7,a8,a9,b1,b2
235	0L0095	Tubo Lavaggio	Wash hose	
		Pagina 4: Circuito idraulico atmosferico	Page 4: Atmospheric plumbing circuit - Not for "a,s,t"	
304	0L0697	Pompa perist. Brillantante	Pump; rinse aid	Not for "b,c,u,a1"
301	0S1713	Pompa perist. Brillantante	Pump; rinse aid	Up to Ser: 6131 Not for "b,c,u,a1"
301	0S2285	Pompa perist. Brillantante	Pump; rinse aid	From Ser: 6141 Not for "b,c,u,a1,a6,a7"
304	0L2134	Pompa perist. Brillantante	Pump; rinse aid	b,e
301	0L3330	Pompa perist. Brillantante	Pump; rinse aid	b,c up 6131
301	0L3656	Pompa perist. Brillantante	Pump; rinse aid	b,c,a6,a7 from 6141

Da Ser. Nr./ From Ser.nr.:

Ed. 2019 - 09
Updated 2019 - 09

Doc. Nr.: **595665M00**

**LAVASTOVIGLIE SOTTOTAVOLO EUCI / EUCAI
UNDERCOUNTER DISHWASHER EUCI / EUCAI**

**Grassetto = variazioni
Bold Print = changes**

Pos.	Cod. Ric. Part No.	Descrizione	Description	Note / Notes
302	049905	Tubo mandata; rigido (bianco)	Delivery hose; rigid (white)	
303	0L0696	Pompa perist. Detergente	Pump; detergent	f,g,k,p,v,y,z,a3
303	0S1711	Pompa perist. Detergente	Pump; detergent	f,g,k,p,v,y,z,a3 up to 6131
303	0S1986	Pompa perist. Detergente	Pump; detergent	f,g,k,p,v,y,z,a3,a4,a5,a8,a9, b1,b2 - from 6141
304	0L0478	Connessione	Connection	u,v,y
308	0L1906	Boiler	Boiler	
309	0L1990	Distanziale	Spacer	
310	0TH122	Fascetta 200-220/12	Clamp 200-220/12	
311	0L1079	Pompa risc. 230V 50Hz	Rinse pump	b,c,d,e,f,g,m,p,u,v,y,a1,z,a3, a4,a5,a6,a7,a8,a9,b1,b2
311	0L1102	Pompa risc. 200V 50Hz	Rinse pump	b,a6 - 50Hz (200V)
311	0L1099	Pompa risc. 200V 60Hz	Rinse pump	c,a7 - 60Hz (200V)
311	0L1100	Pompa risc. 220V 60Hz	Rinse pump	h
311	0L1101	Pompa risc. 440V 60Hz	Rinse pump	k
312	049260	Condensatore per pompa risc.	Capacitor	k
312	083406	Condensatore per pompa risc.	Capacitor	b,c,d,e,f,g,m,p,u,v,y,h,a1,z,a3, a4,a5,a6,a7,a8,a9,b1,b2
313	0L0481	Tubo brillantante (blu)	Rinse aid pipe (blue)	
314	0L1108	Manicotto asp. Risciaquo	Coupling; rins	
316	0L0365	Raccordo 3 vie d.27	Connection 3 way; diam 27-12	
317	0L2560	Protezione ghiera	Guard ring nut	
318	0L0098	Trappola D'aria; boiler	Air trap; boiler	
319	049287	Tubo EPDM 25.5x32	Hose; diam 25	
320	0L0367	Fascetta Cobra	Hose clamp	
321	0L0117	tubo 26x37	Hose	
322	046878	Fascetta a vite 35 -50	Hose clamp 35-50	
323	048824	Supp. Getti Sup.	Ring nut	
324	048126	Fascetta a vite 13 -20	Hose clamp 13-20	
325	048531	Tubo EPDM 12x19.5	Hose	
326	0L0110	Guarnizione Supp. Getti Sup.	Gasket	
327	047578	Fascetta 26-38	Hose clamp 26-38	
328	049459	Air Gap std	Air gap	b,c,d,e,f,h,m,u,v,a1,z,a6,a7,a8
328	0L2435	Air Gap UK (aperto)	UK air gap (open)	g,k,p,y,a3,a4,a5,a9,b1,b2
329	049828	Guarnizione per AG	Gasket	
330	049460	OR per AG	O Ring	
331	049480	per A.G.	Ring nut	
332	048290	Perno risciaquo	Pin; for rinse jets	
333	048716	Ass. Portagetti Risc.	Rinse jet	Up to Ser. Nr.: 937
333	0L2095	Ass. Portagetti Risc.	Rinse jet	From Ser. Nr.: 938
334	0L0598	Ass. Getti Lavavaggio	Washing arms assembly	
335	048714	Tappo Getti risc.	Plug	Up to Ser. Nr.: 937
336	048632	Rondella di Fermo Lavaggio	Lock washer	
337	048401	Mozzo per Getti Lav.	Hub	

**LAVASTOVIGLIE SOTTOTAVOLO EUCI / EUCAI
UNDERCOUNTER DISHWASHER EUCI / EUCAI**

**Grassetto = variazioni
Bold Print = changes**

Pos.	Cod. Ric. Part No.	Descrizione	Description	Note / Notes
338	048330	Fiss. Supp. Getti	Ring nut	
339	048236	Guarnizione LS7 e 8	Gasket	
340	048979	Seger	C-Clamp	
341	048820	Parzializzatore	Flow reducer	
342	048819	Supp. Getti Inf.	Jets support; lower	
343	0L0567	Elettrovalvola; 5,5 l/min	Electric valve; 5,5 l/min	k,g - Up to Ser. Nr.: 001
343	0L0776	Elettrovalvola; 5,0 l/min	Electric valve; 5,0 l/min	k,g,a3,a4,a5 - From Ser. Nr.: 002
343	0L0568	Elettrovalvola; 10 l/min	Electric valve; 10 l/min	b,c,d,e,f,h,m,u,a1,z Up to Ser. Nr.: 001
343	0L0776	Elettrovalvola; 5,0 l/min	Electric valve; 5,0 l/min	b,c,d,e,f,h,m,u,a1,z,a6,a7,a8 From Ser. Nr.: 002
344	0L1945	Guarnizione	Gasket; diam 3/4	
345	0L1887	Tubo alimentazione	Feed hose	
346	049801	Iniettore Det. AISI304	Iniection spigot	f,g,k,p,v,y,z,a2,a3,a4,a5,a8, a9,b1,b2
350	048308	Trappola d'aria per pressost.	Air trap	
351	068642	OR 2062x15.54	O Ring	
352	049268	Dado M14x1.5	Nut; M14x1,5	
355	0L0082	Fascetta Elastica	Hose clamp	
360	049201	Guarnizione; diam 3/4	Gasket; diam 3/4	b,c,a6,a7
361	048834	Ass.filtro 3/4 G	Filter	d,e,f,g,k,h,m,p,u,v,y,a1,z,a3, a4,a5,a8,a9,b1,b2
361	068121	Ass.filtro 3/4 G	Filter	b,c,a6,a7
362	0L1945	Guarnizione; diam 3/4	Gasket; diam 3/4	b,c,d,e,f,g,k,h,m,p,u,v,y,a1,z, a3,a4,a5,a6,a7,a8,a9,b1,b2
363	072457	Nipplo ottone 3/4" - 3/4"	Brass nipple 3/4" - 3/4"	b,c,a6,a7
364	049904	Tubo pressostato	Pressure switch hose	
365	049881	Pressostato	Pressure switch	
368	048531	Tubo EPDM 12x19.5	Hose	
369	072393	Tubo EPDM 4x7.4	Hose	
370	048531	Tubo EPDM 12x19.5	Hose	b,c,d,e,f,h,k,m,u,v,a1,z,a6,a7, a8
370	049379	Tubo gomma 11.5x19.5 WRC	Hose; WRC	g,p,y,a3,a4,a5,a9,b1,b2
371	0L2071	Assieme tappo	Plug assembly	
372	049419	Tubo; interno, pompa det.	Hose; internal, det. Pump	
373	049418	Tubo; interno, pompa brill.	Hose;internal, rin. aid pump	
383	0L0477	Portagomma	Fitting	b,c,p,v,y,a6,a7,a9,b1,b2
385	0L0479	Nipplo ottone 3/4"- 3/8"	Brass nipple 3/4"- 3/8"	b,c,p,v,y,a6,a7,a9,b1,b2
386	0L0170	Parzializzatore 5.5 l/min	Hydraulic shutter 5.5 l/min	p,y,a9,b1,b2
386	049650	Parzializzatore 10 l/min	Hydraulic shutter 10 l/min	b,c,v,a6,a7
387	0L0423	Elettrovalvola	Electric valve	p,v,a9,b1,b2
387	0L2850	Elettrovalvola	Electric valve	y
387	0L0570	Elettrovalvola	Electric valve	b,c,a6,a7
388	0L0602	Connettore elettrovalvola	Electric valve connector	p,v,y - Up to Ser. Nr.: 946

Da Ser. Nr./ From Ser.nr.:

Ed. 2019 - 09
Updated 2017 - 10

Doc. Nr.: **595665M00**

**LAVASTOVIGLIE SOTTOTAVOLO EUCI / EUCAI
UNDERCOUNTER DISHWASHER EUCI / EUCAI**

**Grassetto = variazioni
Bold Print = changes**

Pos.	Cod. Ric. Part No.	Descrizione	Description	Note / Notes
389	0L0528	Sensore di livello detergente	Detergent float switch	u,v,y
390	0L0529	Sensore di livello brillantante	Rinse aid float switch	u,v,y
Pagina 5: Circuito idraulico a pressione		Page 5: Pressurized plumbing circuit - for "a,s,t,a2"		
402	049360	Tubo mandata; rigido	Delivery hose; rigid	
403	0S1711	Pompa perist. Detergente	Pump; detergent	s,t,a2
403	0S1986	Pompa perist. Detergente	Pump; detergent	s,t,a2 from 6141
408	0L1908	Boiler a pressione	Boiler	Up to Ser. Nr.: 017
408	0L0284	Boiler a pressione	Boiler	From Ser. Nr.: 018
409	0L1990	Distanziale	Spacer	
410	0TH122	Fascetta 200-220/12	Clamp 200-220/12	
411	0L2394	Tubo ingresso acqua	Water inlet pipe	Rinse booster pump kit
412	0L2389	Tubo uscita pompa	Pump outlet pipe	Rinse booster pump kit
413	0L2391	Pompa + condensatore	Pump + capacitor	Rinse booster pump kit
414	049126	Condensatore	Capacitor	8 µF - Rinse booster pump kit
415	0L2392	Cavetto di terra	Ground cable	Rinse booster pump kit
416	0L2393	Portagomma G 3/8" M	Fitting G 3/8" M	Rinse booster pump kit
	0L2390	(Pompa + condensatore) + cavetto di terra + portagomma	(Pump + capacitor) + ground cable + fitting	(pos. 413 + pos. 415 + pos. 416) Rinse booster pump kit
423	048824	Supp. Getti Sup.	Ring nut	
424	048126	Fascetta a vite 13 -20	Hose clamp 13-20	
425	048531	Tubo EPDM 12x19.5	Hose	
426	048823	Guarnizione Supp. Getti Sup.	Gasket	
432	048290	Perno risciacquo	Pin; for rinse jets	
433	048716	Ass. Portagetti risciacquo	Rinse jet	Up to Ser. Nr.: 937
433	0L2095	Ass. Portagetti risciacquo	Rinse jet	Up to Ser. Nr.: 938
434	0L0598	Ass. getti lavaggio	Washing arms assembly	
435	048714	Tappo Getti risciacquo	Plug	Up to Ser. Nr.: 937
436	048632	Rondella di Fermo Lavaggio	Lock washer	
437	048401	Mozzo per Getti Lav.	Hub	
438	048330	Fiss. Supp. Getti	Ring nut	
439	048236	Guarnizione	Gasket	
440	048979	Anello elastico	Retaining ring	
441	048820	Parzializzatore	Flow reducer	
442	048819	Supp. Getti Inf.	Jets support; lower	
443	0L0566	Elettrovalvola; 20 l/m	Solenoid valve; 20 l/m	
443	0L3363	Doppia elettrovalvola; 20 l/min	Double solenoid valve; 20 l/min	a2
444	0L1945	Guarnizione	Gasket; DIAM 3/4	
445	0L1887	Tubo alimentazione	Feed hose	
446	049801	Iniettore Det. AISI304	Iniection spigot	s,t
450	048308	Trappola d'aria per pressost.	Air trap	
451	068642	OR 2062x15.54	O Ring	
452	049268	Dado M14x1.5	Nut; M14x1,5	

**LAVASTOVIGLIE SOTTOTAVOLO EUCI / EUCAI
UNDERCOUNTER DISHWASHER EUCI / EUCAI**

**Grassetto = variazioni
Bold Print = changes**

Pos.	Cod. Ric. Part No.	Descrizione	Description	Note / Notes
461	048834	Ass.filtro 3/4 G	Filter	
462	0L1945	Guarnizione; diam 3/4	Gasket; diam 3/4	
464	049904	Tubo pressostato	Pressure switch hose	
465	049881	Pressostato	Pressure switch	
466	048195	Raccordo 3 vie	Connection 3 way; diam 12	
467	049332	Valvola DVGW	Solenoid valve	
471	0L2071	Assieme tappo	Plug assembly	
472	049419	Tubo; interno, pompa det.	Hose; internal, det. Pump	
473	049026	Portagomma Brill.	Rubber holder	
474	046946	Fasc. Torro W2 8-12/7,5 IVP	Hose clamp 8-12	
475	048883	Tubo gomma 5X12	Hose; 5x12	
476	0L0094	Dosatore idraulico	Dispenser; for rinse aid	Up to Ser. nr. 347
476	0L3182	Dosatore idraulico	Dispenser; for rinse aid	From Ser. nr. 348 Up to Ser. nr. 7401
476	0L4295	Dosatore idraulico	Dispenser; for rinse aid	From Ser. nr. 7411
478	0L3377	Assieme tubi di risciacquo	Rinse hoses assembly	a2
479	0L3379	Tubo EPDM 12x19.5	Hose (L=1050mm)	a2
480	0L2980	Doppia valvola di ritegno	Double check valve	a2
481	072457	Raccordo M.3/4" - M.3/4"	Fitting M.3/4" - M.3/4"	a2
		Pagina 6: Componenti elettrici	Page 6: Electrical components	
501	0L3875	Interfaccia utente	User Interface	Up to Ser. Nr.: 2019/10
501	0L4473	Interfaccia utente	User Interface	From Ser. Nr. : 2019/11
502	0L1943	Guarnizione display	Display gasket	
503	0L1871	Sensore reed	Sensor	
504	0L1904	Assieme cruscotto	Control panel	not for "p,a3,a4,a8,a9,b1,b2"
504	0L1905	Assieme cruscotto	Control panel	p,a9
504	0L1658	Assieme cruscotto	Control panel	a3, a8
504	0L3705	Assieme cruscotto	Control panel	a4
504	800672601	Assieme cruscotto	Control panel	b1
504	800677800	Assieme cruscotto	Control panel	b2
505	0L1899	Membrana adesiva	Membrane	a,s,t
505	0L1895	Membrana adesiva	Membrane	b,c,d,e,f,g,h,k,a1,a3,a5,a6,a7,a9
505	0L1898	Membrana adesiva	Membrane	z
505	0L1897	Membrana adesiva	Membrane	u,v,y - Cafè Line
505	0L1896	Membrana adesiva	Membrane	m,p - Medical Line
505	0L3362	Membrana adesiva	Membrane	a2
505	0L3185	Membrana adesiva	Membrane	a3 up to 7431 - a8
505	0L4188	Membrana Caterwash	Caterwash stick membrane	a3 from 7441
505	0L4301	Membrana adesiva	Membrane	a4,b2
505	0L1653	Membrana ZAnussi	Zanussi Membrane	b1
506	049883	Trasform. 80VA 400..440/230V	Transform. 80VA 400..440/230V	k,q,s,t
506	0L0540	Trasform. 30VA 180/254V	Transform. 30VA 180/254V	p,a9,b1,b2

Da Ser. Nr./ From Ser.nr.:

Ed. 2019 - 09
Updated 2019 - 09

Doc. Nr.: **595665M00**

**LAVASTOVIGLIE SOTTOTAVOLO EUCI / EUCAI
UNDERCOUNTER DISHWASHER EUCI / EUCAI**

**Grassetto = variazioni
Bold Print = changes**

Pos.	Cod. Ric. Part No.	Descrizione	Description	Note / Notes
507	048888	Relé	Relay; 230v, 2 cont, step 5	k,s,t
508	048736	Contattore K209	Contactore; 200V, 50/60Hz, 25A	k,s,t
509	0L2582	Scheda madre	Main board	a
509	0L2583	Scheda madre	Main board	p,a2,a9,b1,b2
509	0L3720	Scheda madre	Main board	b,c,d,e,f,g,h,k,m,s,t,v,y,z,a1, a2,a3,a4,a5,a6,a7,a8
510	049303	Filtro RFI trifase	RFI filter; three phase	b,c,k,s,t,u,a6,a7
510	049303	Filtro RFI trifase	RFI filter; three phase	Not for b,c,k,s,t,u,a6,a7 Up to Ser. Nr.: 213
511	0L0111	Morsettiera Princ.	Junction box	
512	048429	Fissaggio Res. Vasca	Bracket	
513	049954	Res. Vasca 2,0 kW-230V	Heating element; 230V, 2,0kW	a,b,c,d,e,f,h,m,u,v,a1,z Up to Ser. Nr.: 946
513	0L2109	Res. Vasca 2,0 kW-230V	Heating element; 230V, 2,0kW	a,b,c,d,e,f,h,m,u,v,a1,z,a6,a7, a8 From Ser. Nr.: 947
513	049954	Res. Vasca 2,0 kW-230V	Heating element; 230V, 2,0kW	g,y,p - Up to Ser. Nr.: 944
513	0L2109	Res. Vasca 2,0 kW-230V	Heating element; 230V, 2,0kW	g,y,p,a3,a4,a9,b1,b2 - From Ser. Nr.: 945
513	0L2132	Res. Vasca 2,0 kW-200V	Heating element; 200V, 2,0kW	
513	0L1902	Res. Vasca 2,0 kW-440V	Heating element; 440V, 2,0 kW	k,s
513	0L1903	Res. Vasca 2,0 kW-400V	Heating element; 400V, 2,0 kW	t
514	0L0366	Supporto sensore	Support; sensor	
515	0L2303	OR 2037	O Ring 2037	
516	049643	Sensore NTC	Sensor	
517	0L1567	Copertura interfaccia utente	User interface cover	For a2 do not remove cold rinse button
518	0E5037	OR 6225	O-Ring	Up to Ser.: 313
518	0L2304	OR 6225	O-Ring	From to Ser.: 314
519	049898	Res. Flangiata 6kW 230V	Heating element 6kW 230V	h,m,t,z - Up to Ser. Nr.: 946
519	0L2725	Res. Flangiata 6kW 230V	Heating element 6kW 230V	h,m,t,z - From Ser. Nr.: 947
519	049898	Res. Flangiata 6kW 230V	Heating element 6kW 230V	p,y - Up to Ser. Nr.: 944
519	0L2725	Res. Flangiata 6kW 230V	Heating element 6kW 230V	p,y,a2,a9,b1,b2 From Ser. Nr.: 945
519	049992	Res. Flangiata 9kW 230V	Heating element 9.0kW 230V	u,v
519	049899	Res. Flangiata 4.5kW 230V	Heating element 4.5kW 230V	a,d,e,f,a1 - Up to Ser. Nr.: 946
519	0L2651	Res. Flangiata 4.5kW 230V	Heating element 4.5kW 230V	a,d,e,f,a1,a8 - From Ser. Nr.: 947
519	049899	Res. Flangiata 4.5kW 230V	Heating element 4.5kW 230V	g - Up to Ser. Nr.: 944
519	0L2651	Res. Flangiata 4.5kW 230V	Heating element 4.5kW 230V	g,a3,a4,a5 - From Ser. Nr.: 945
519	0L2131	Res. Flangiata 4.5kW 200V	Heating element 4.5kW 200V	b,c,a6,a7
519	049900	Res. Flangiata 6kW 254V	Heating element 6kW 254V	k,s - Up to Ser. Nr.: 022
519	0L2726	Res. Flangiata 6kW 254V	Heating element 6kW 254V	k,s - From Ser. Nr.: 023
520	0L2303	OR 2037	O Ring	
521	0L0280	Premistoppa	Stuffing box	
522	049643	Sonda di Temperatura	Temperature probe	

Doc. Nr.: **595665M00**

Ed. 2019 - 09
Updated **2018 - 09**

Da Ser. Nr./ From Ser.nr.:

**LAVASTOVIGLIE SOTTOTAVOLO EUCI / EUCAI
UNDERCOUNTER DISHWASHER EUCI / EUCAI**

**Grassetto = variazioni
Bold Print = changes**

Pos.	Cod. Ric. Part No.	Descrizione	Description	Note / Notes
523	049925	Guarnizione DX Cruscotto	Gasket right	Up to Ser Nr.: 310
523	0L0756	Guarnizione DX Cruscotto	Gasket right	From to Ser Nr.: 311
524	049927	Guarnizione SX Cruscotto	Gasket left	Up to Ser Nr.: 310
524	0L0755	Guarnizione SX Cruscotto	Gasket left	From to Ser Nr.: 311
525	0L3881	Filtro antidisturbo	Noise suppressor filter	
526	049901	Filtro induttivo-cap.; monofase	filter; single phase	a,b,c,d,e,f,g,h,m,p,u,v,y,a1,z, a3,a4,a5,a6,a7,a8,a9,b1,b2
527	0L0542	Elettromagnete	Electromagnet	p,a9,b1,b2
528	0L0543	Guarnizione elettromagnete	Electromagnet gasket	p,a9,b1,b2
529	0L0544	Guarnizione cruscotto	Control panel gasket	p,a9,b1,b2
530	0L2895	Klixon di sicurezza per vasca	Safety Klixon for tank	
531	0L2894	Supporto per Klixon	Klixon support	
532	0C8219	Dado M5	M5 nut	
590	0L2486	Cablaggio	Wiring harness	not for "b,c,k,s,t,a6,a7"
590	0L2130	Cablaggio	Wiring harness	b,c,a6,a7
590	0L2495	Cablaggio	Wiring harness	k,s,t
590	0L3378	Cablaggio	Wiring harness	a2
590	0L0545	Cablaggio aggiuntivo	Additional wiring harness	p,a9,b1,b2
590	0L0530	Cablaggio aggiuntivo	Additional wiring harness	u,v,y

Da Ser. Nr./ From Ser.nr.:

Ed. 2019 - 09
Updated 2018 - 06

Doc. Nr.: **595665M00**